

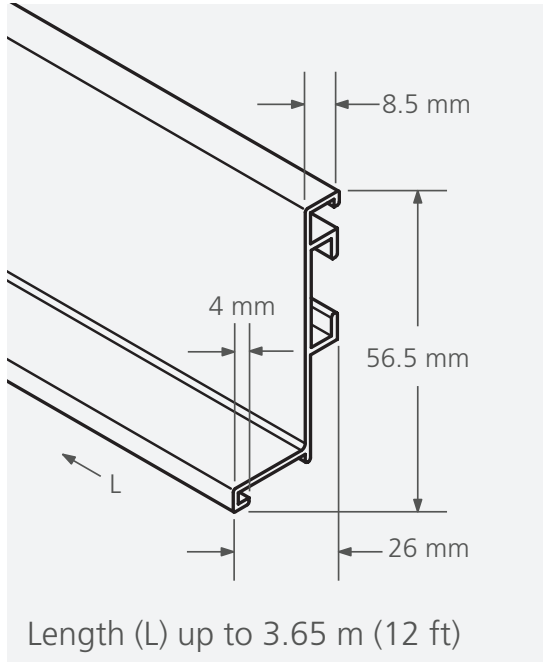
SCHWINN

Handle-Free Cabinet Hardware CS3

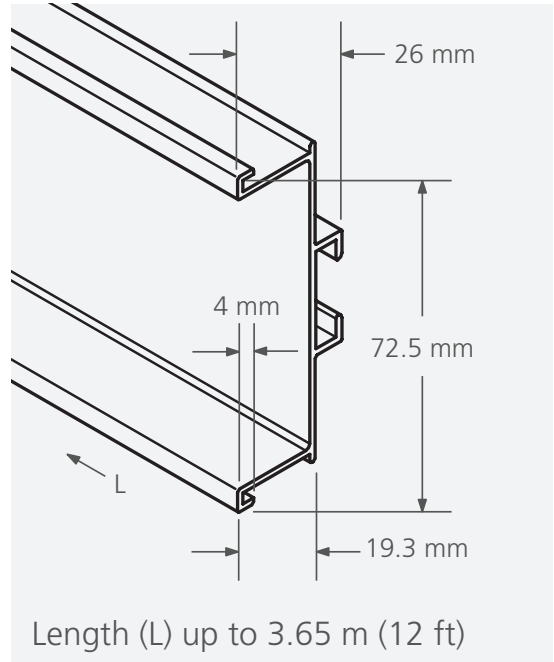


CS3 Series Channels

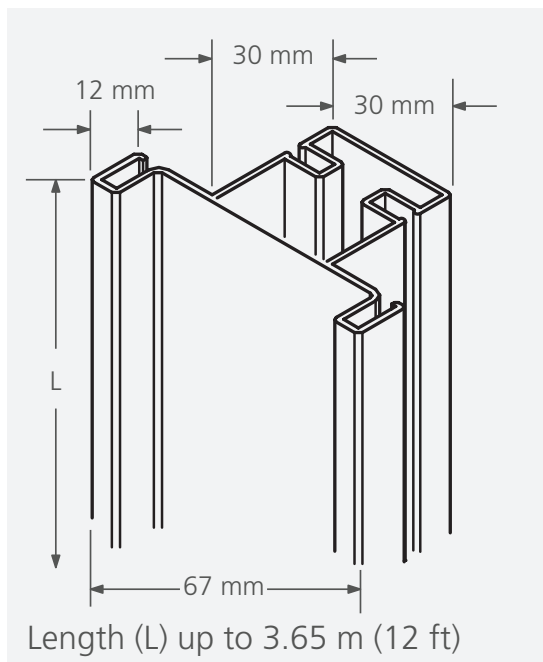
33914 L-Channel



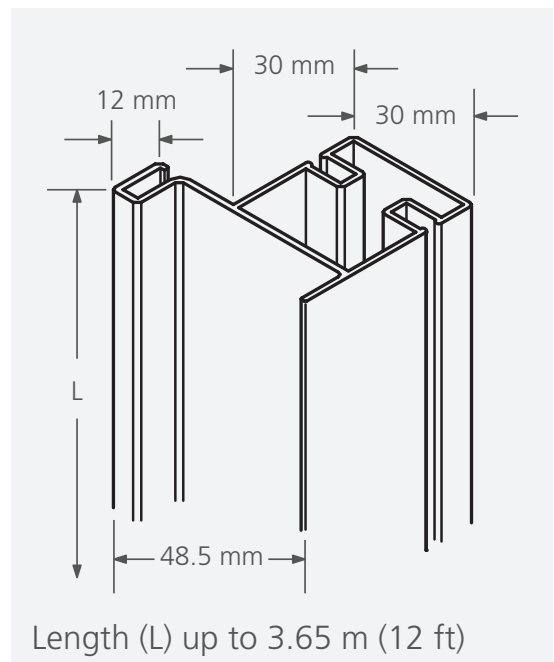
33913 C-Channel



33915 Vertical Channel

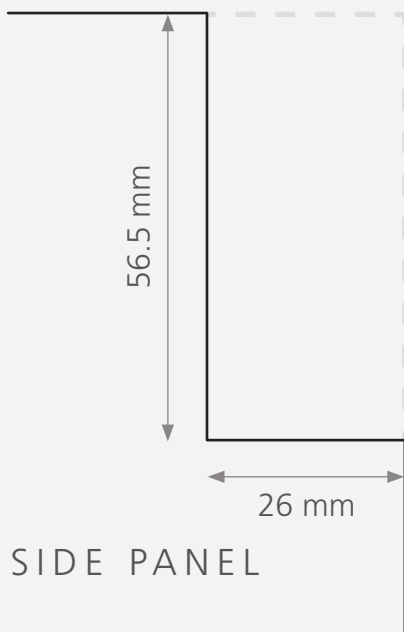


33916 End Channel



CS3 Router Templates

33914 L-Channel



Template scale: 1:1

33913 C-Channel

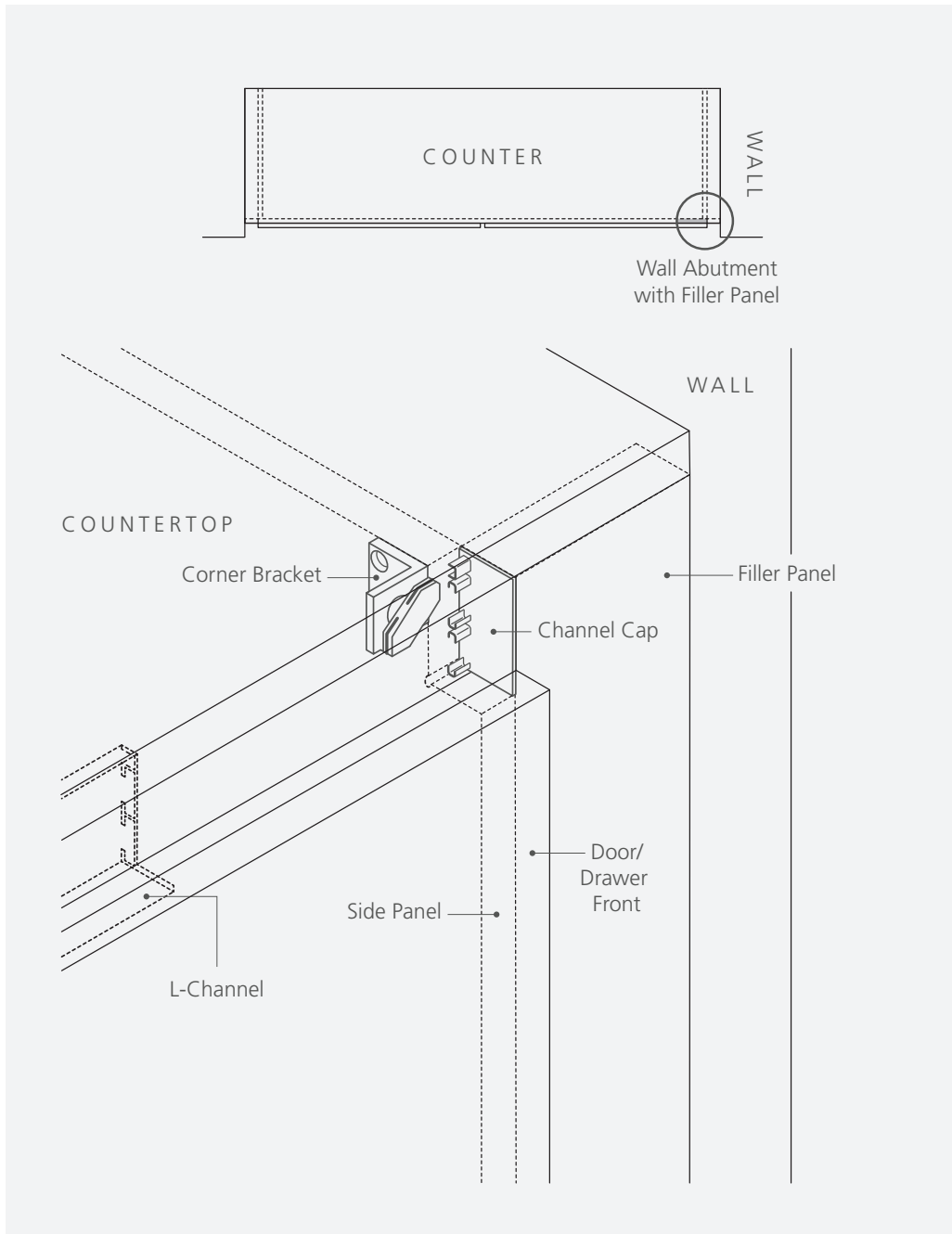


Template scale: 1:1

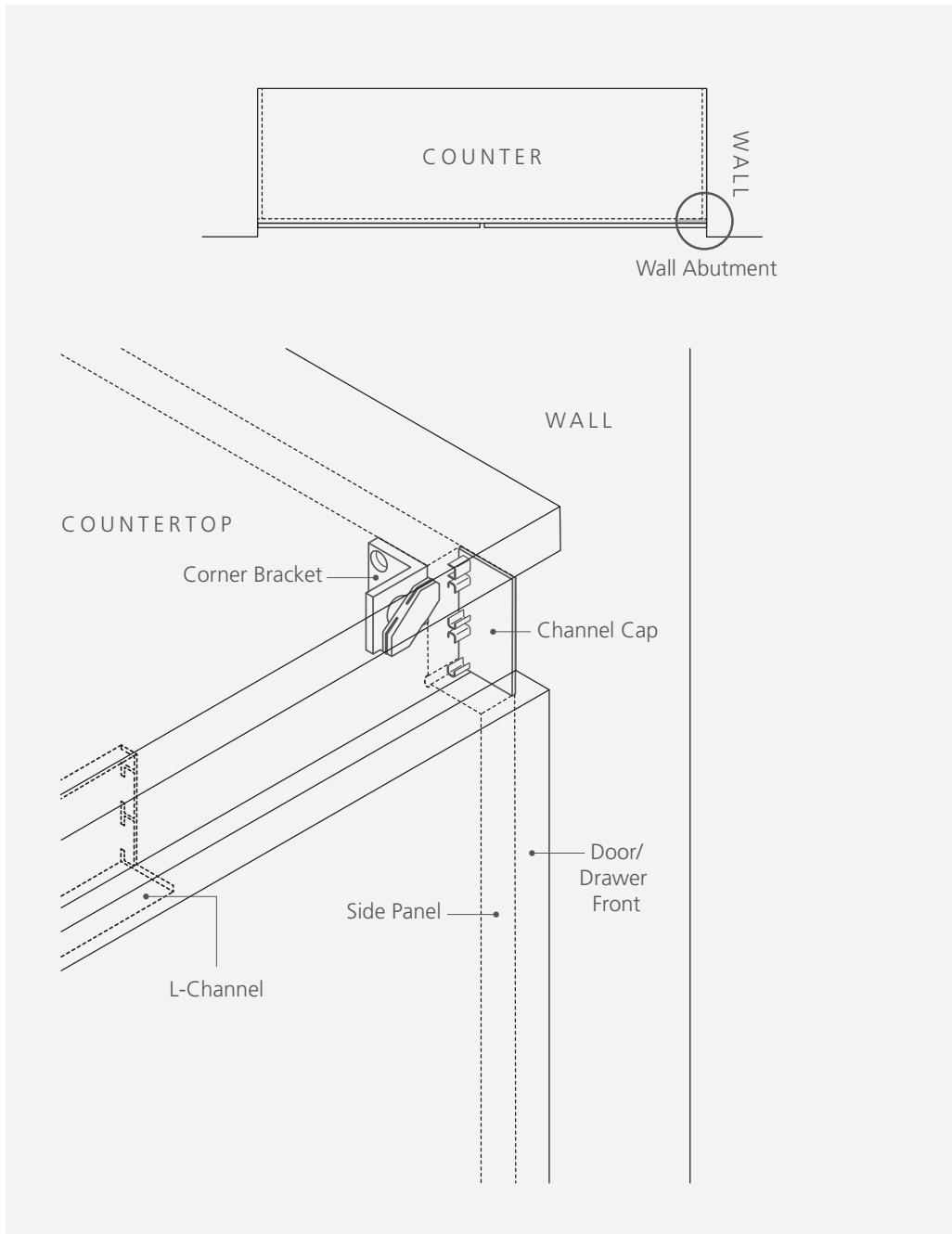
IMPORTANT NOTE

Please be sure to print this PDF template at 100% (no "scale to fit" option selected in print dialog box) to ensure accuracy.

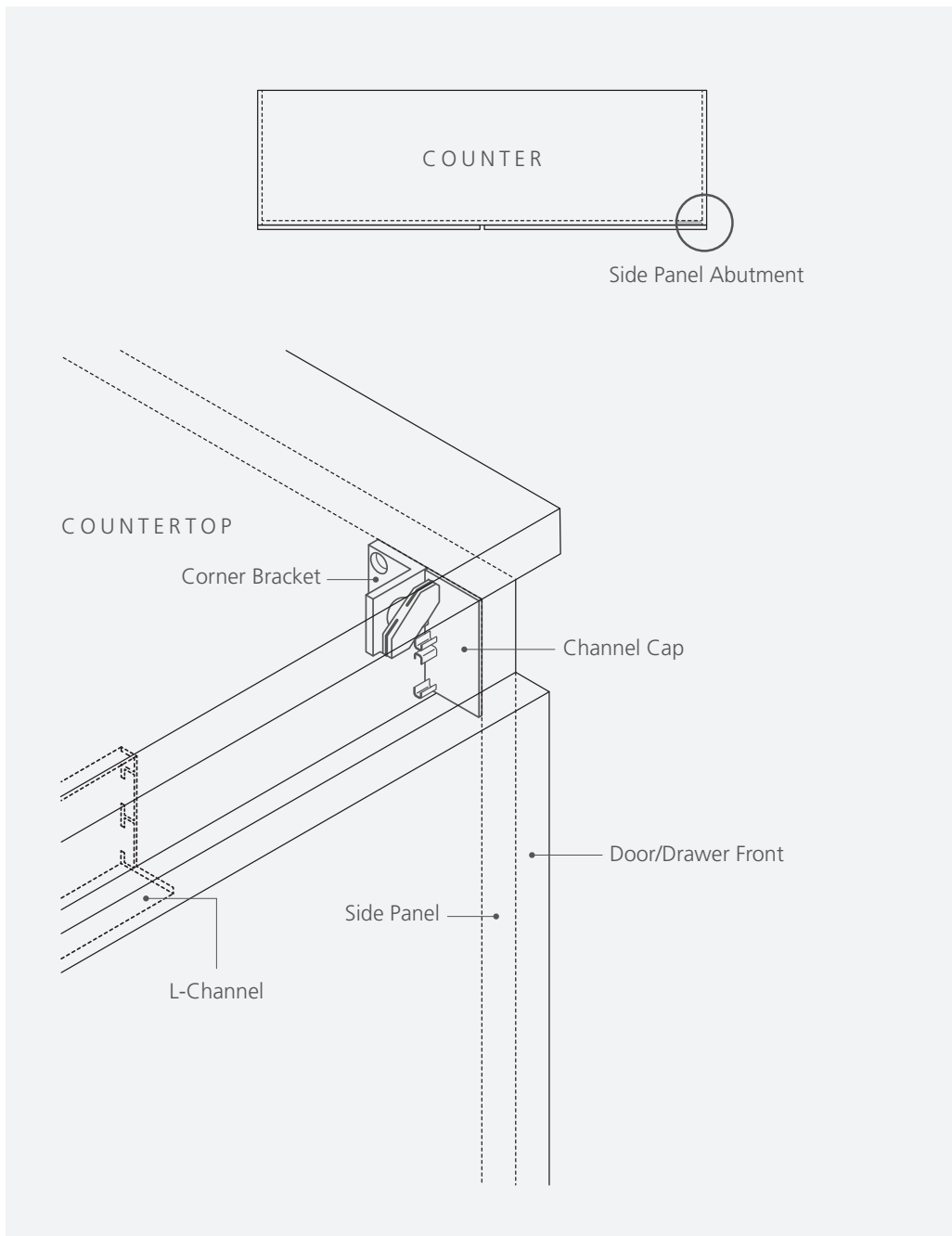
Wall Abutment with Filler Panel Detail



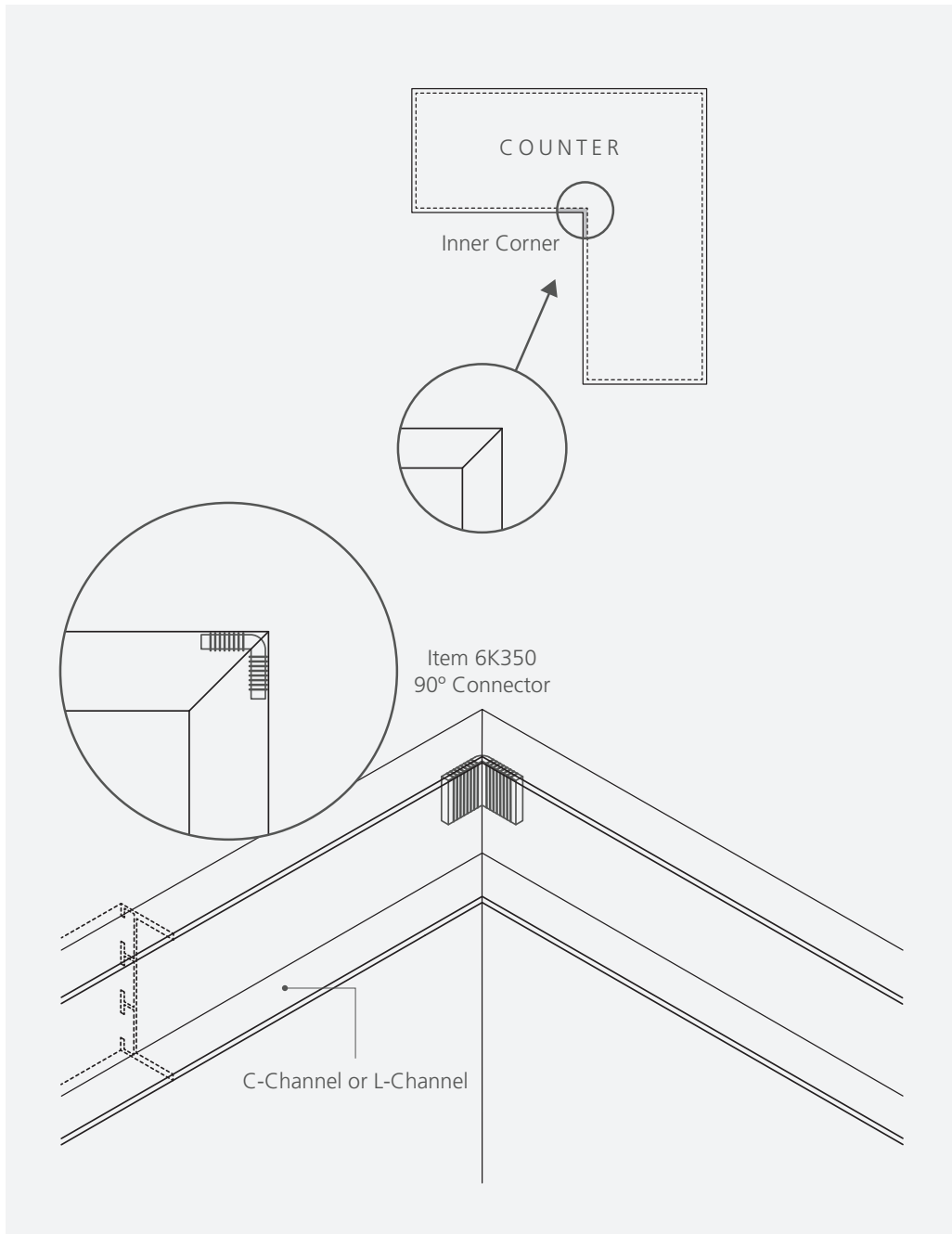
Wall Abutment Detail



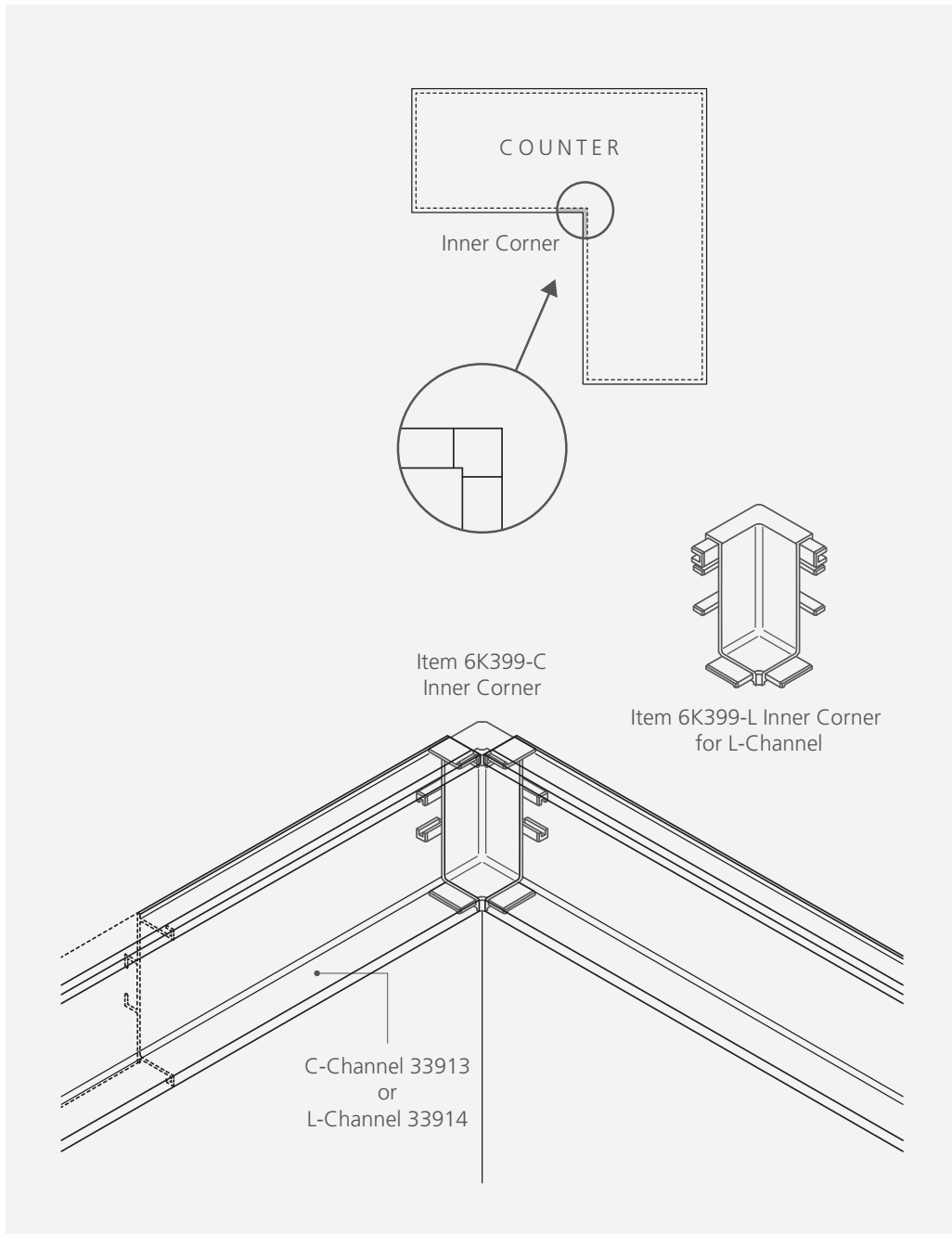
Side Panel Abutment Detail



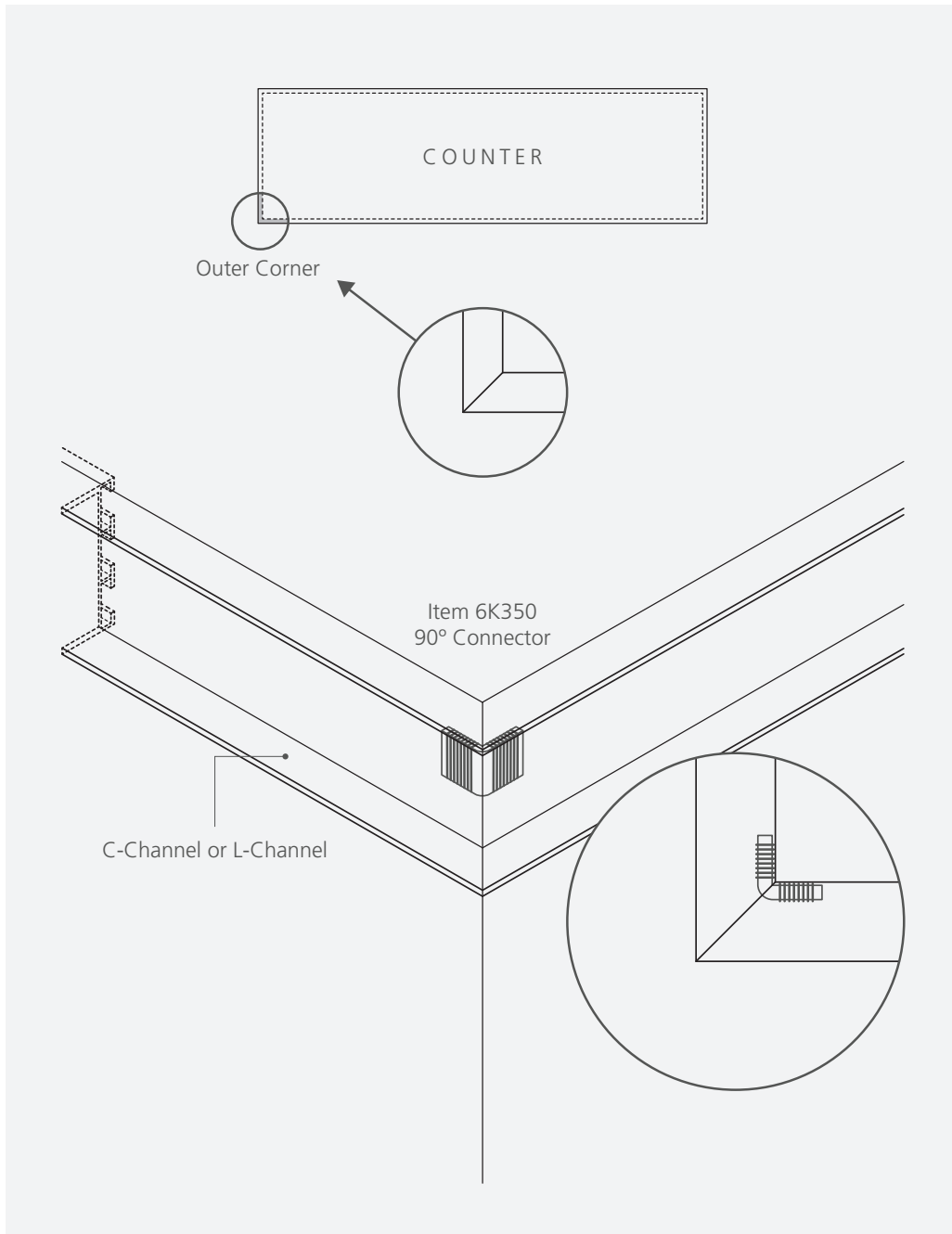
Mitered Inner Corner Detail



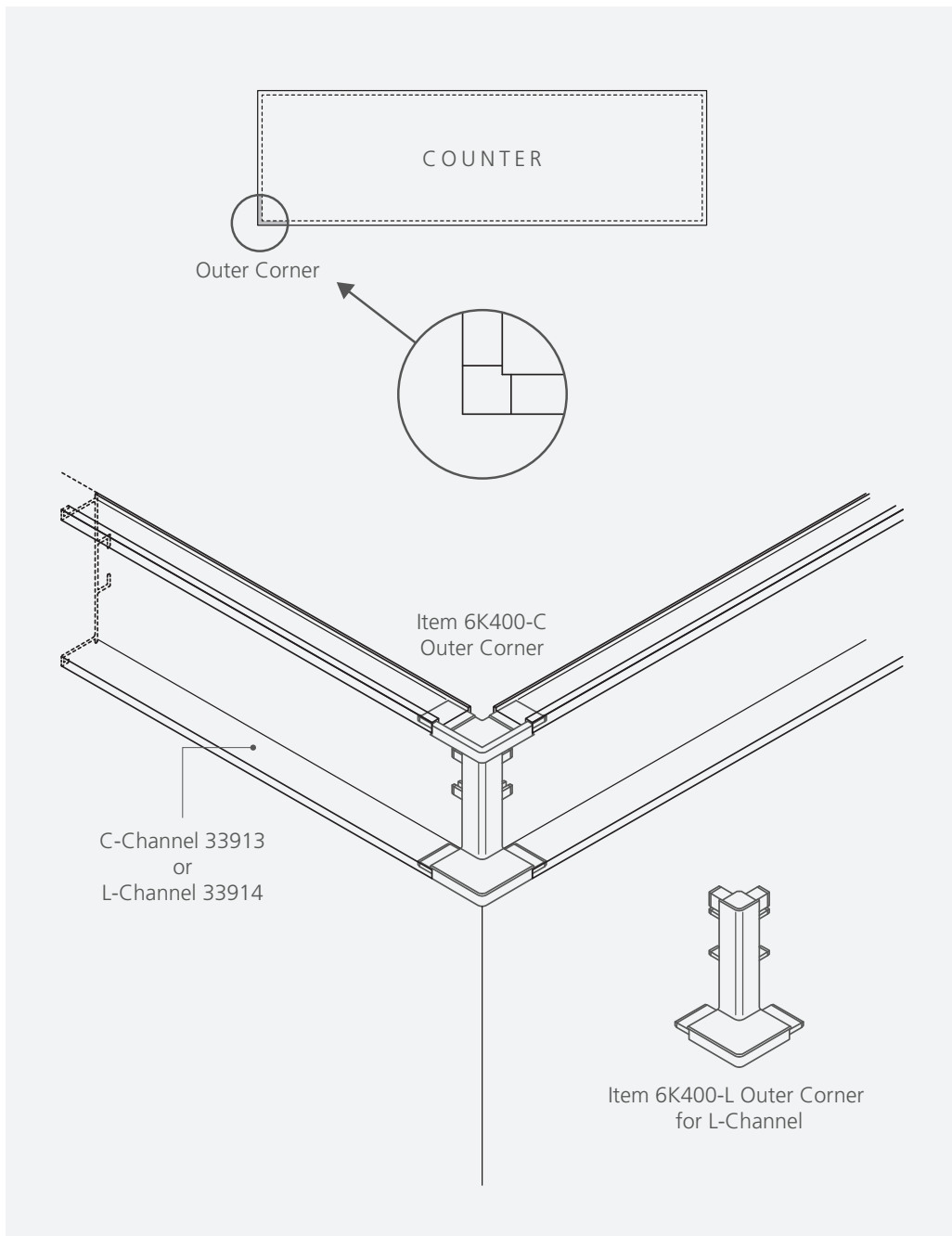
Straight Cut Inner Corner Detail



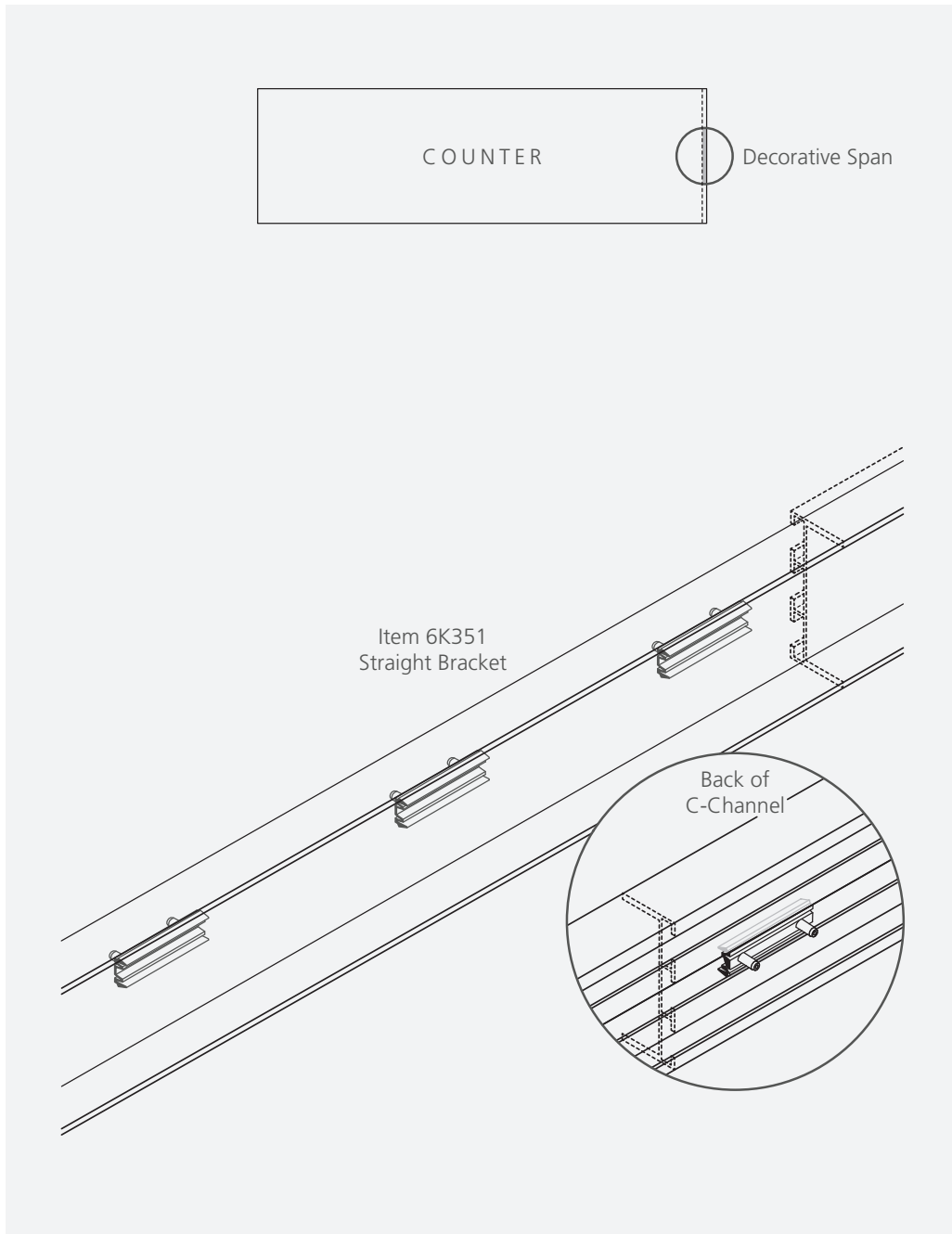
Mitered Outer Corner Detail



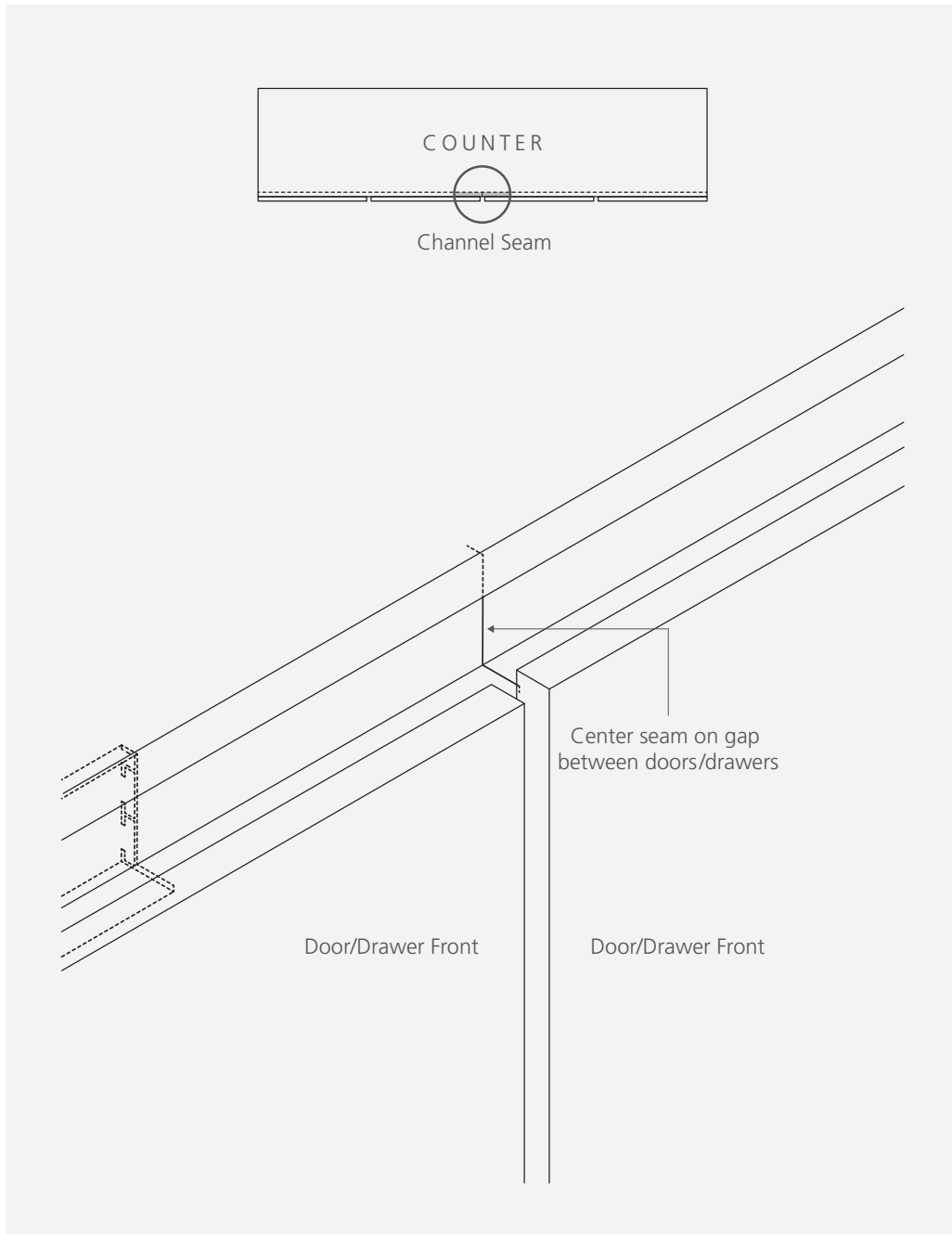
Straight Cut Outer Corner Detail



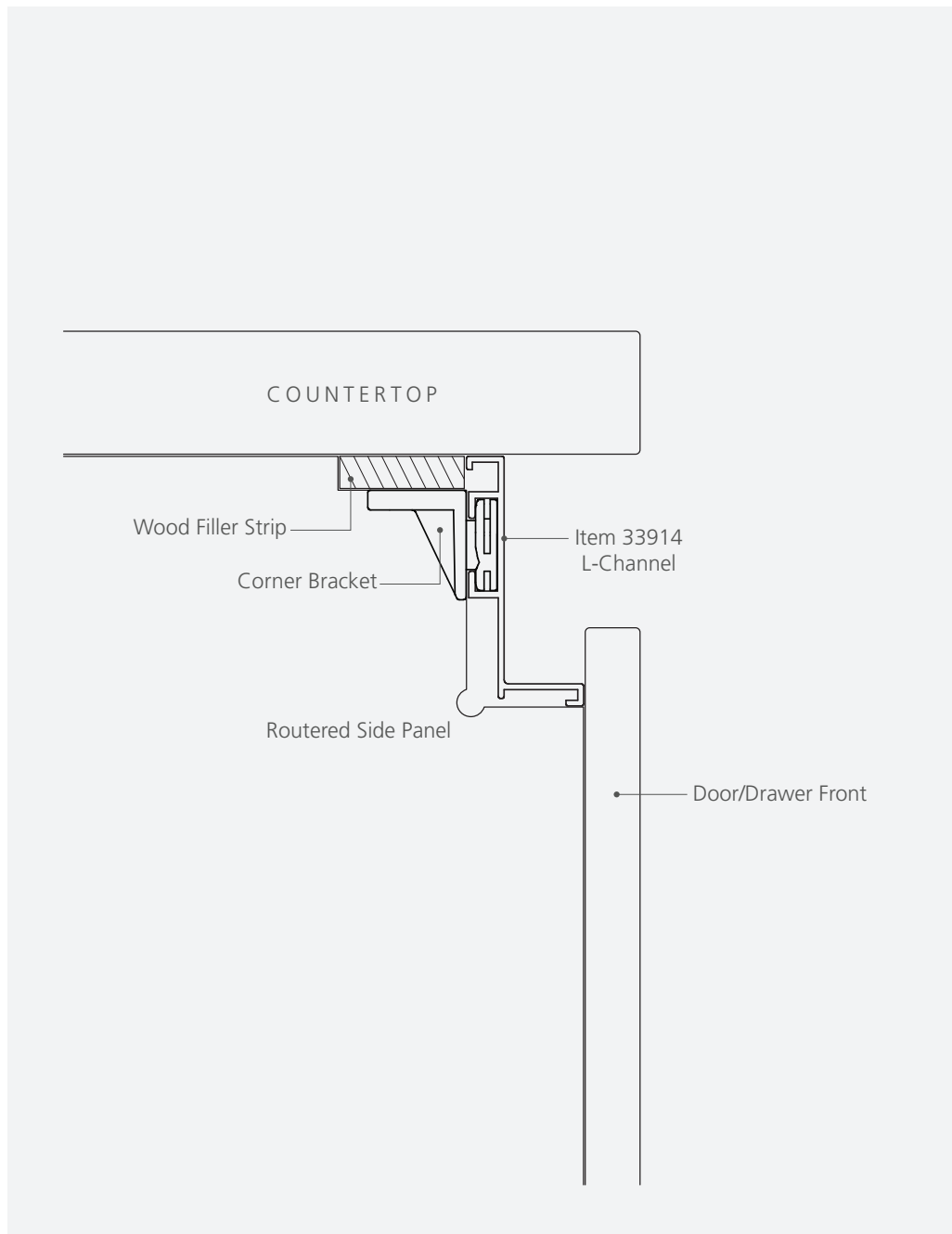
Decorative Span Detail



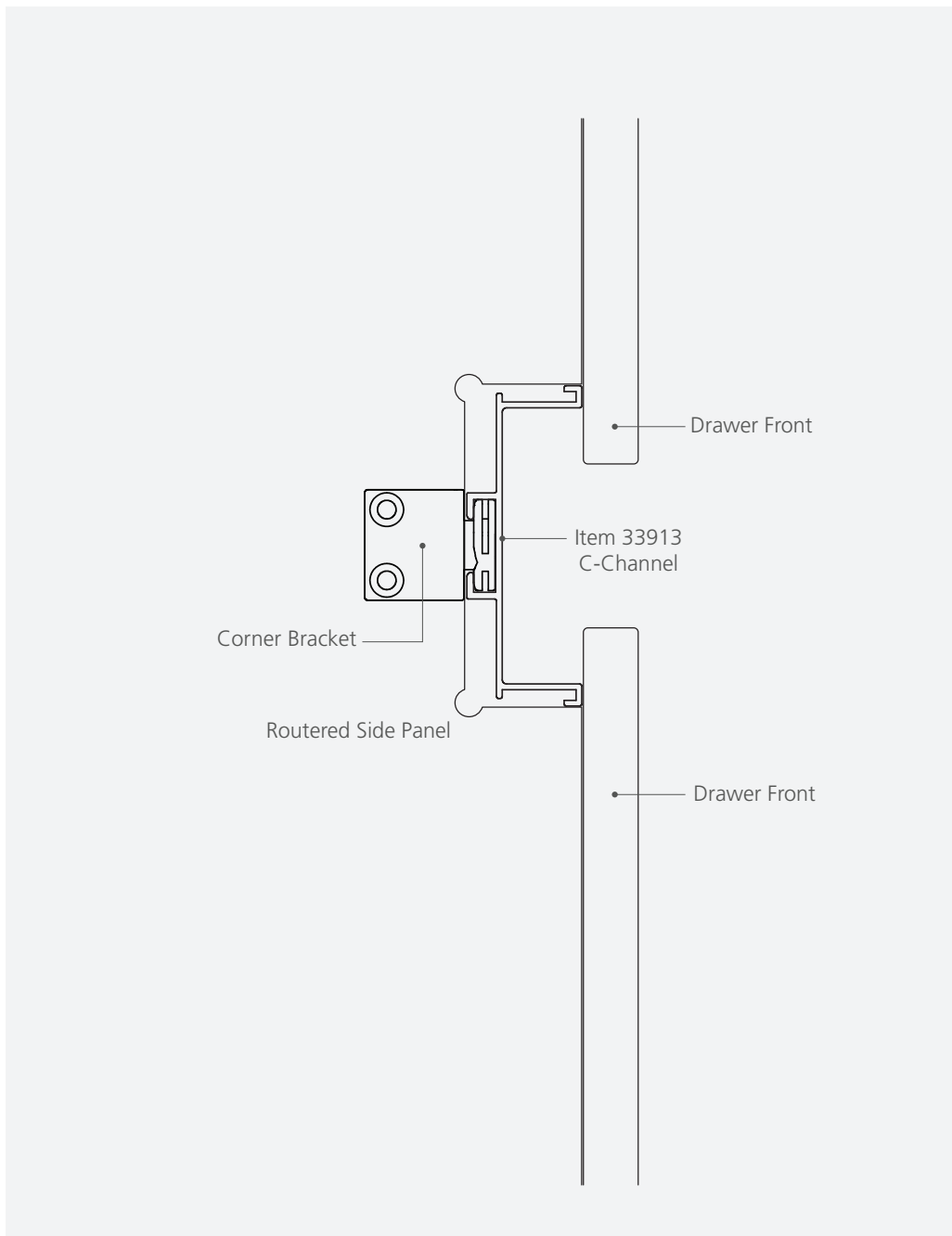
Seam Detail



L-Channel Installation Detail



C-Channel Installation Detail



Vertical Installation Detail

